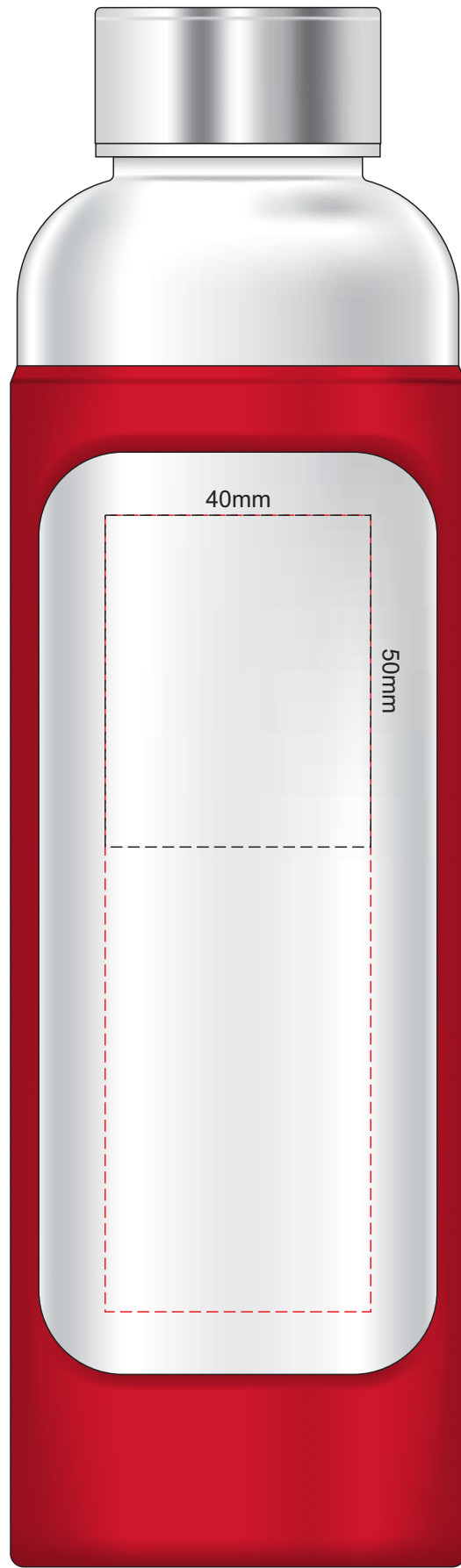
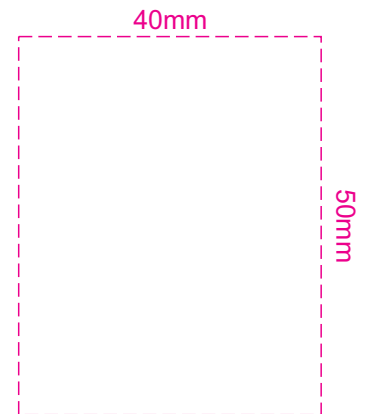
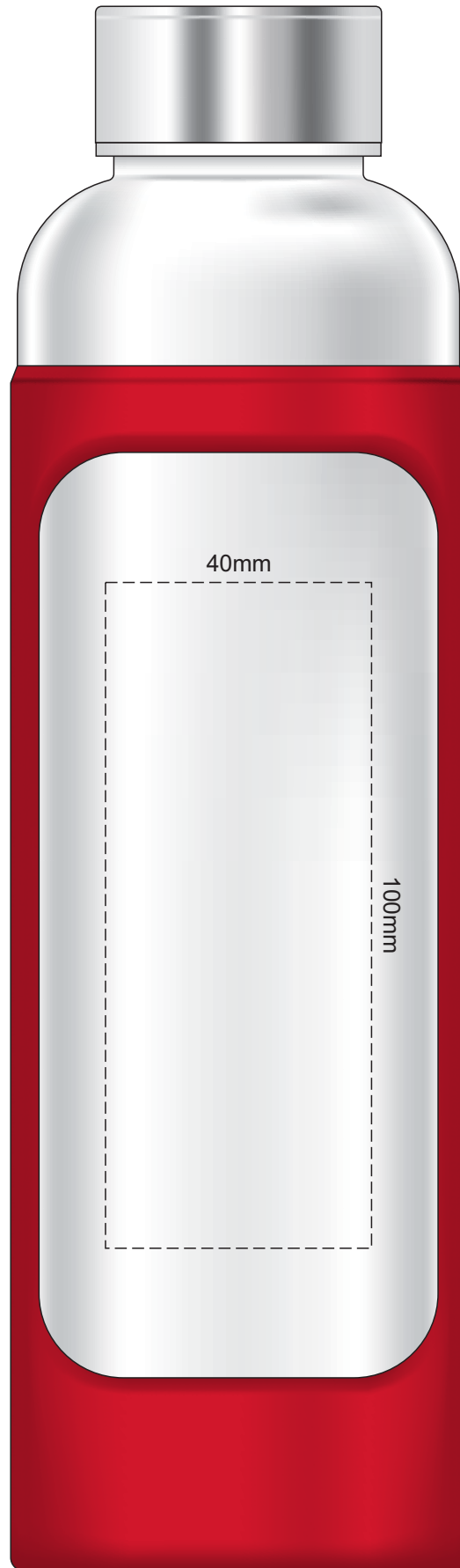


100% of Actual Size  
Pad Print  
Imitation Etch



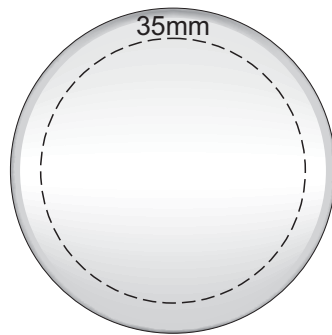
Branding area can be moved anywhere within the red line.

100% of Actual Size  
Pad Print  
Imitation Etch



The larger special print area is only available on this item by breaking the artwork into multiple prints. Each individual print artwork must fit within 40mm x 50mm, each print can be positioned anywhere within the overall print area but should not be touching with other prints. Different print colours are available for each print. Each print is charged the normal print position rate plus setup.

100% of Actual Size  
Engraving

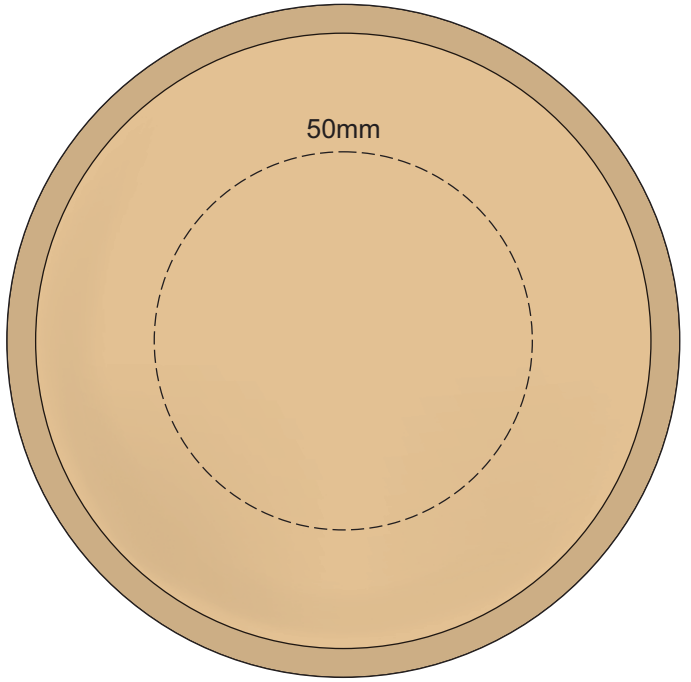


Engraves to  
Stainless Steel Finish

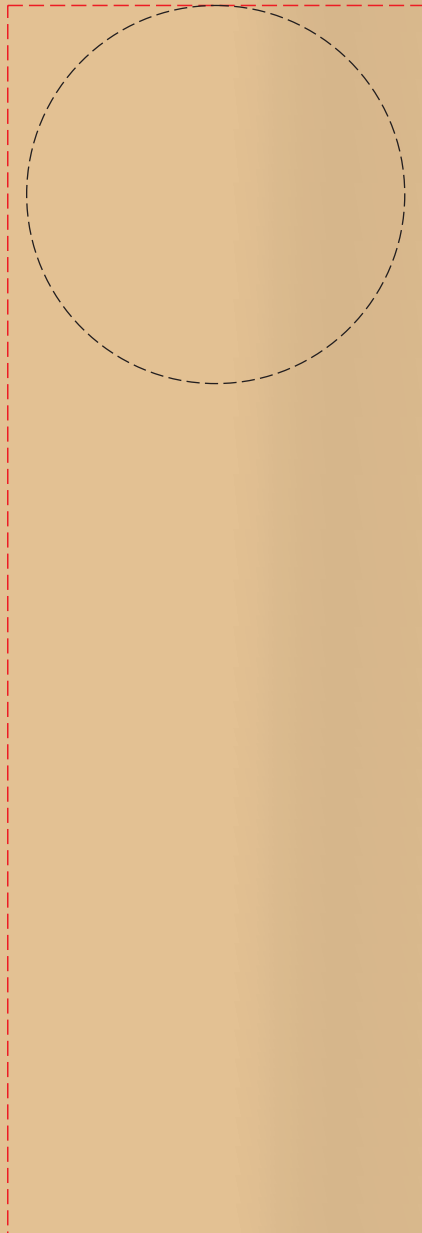
Top of Tube



50mm



50mm



100% of Actual Size  
Pad Print (one colour)